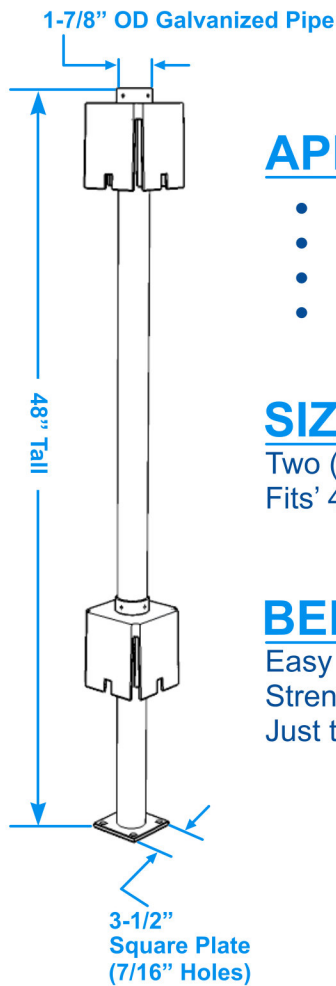


# THE ROOK<sup>®</sup> FENCE POST MOUNT

Made in USA

## VINYL FENCE POST INSTALLATION MADE EASY

The Rook<sup>®</sup> fence post mounts create a very solid and strong foundation for mounting a vinyl fence on top of wood and concrete applications.



### APPLICATIONS

- Masonry Walls
- Commercial and Residential Projects
- Wood Decks
- Do It Yourself Projects

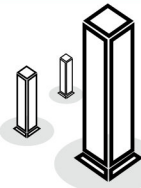
### SIZES

Two (2) sizes are available:  
Fits' 4" and 5" Vinyl Sleeves

### BENEFITS

Easy to Install (Time and Cost Savings).  
Strengthens the Entire Post Length, Not Just the Base.

Ph: 855-227-2644  
Fax: 609-653-6661  
Email: [info@therook.org](mailto:info@therook.org)  
Web: [www.TheRook.org](http://www.TheRook.org)

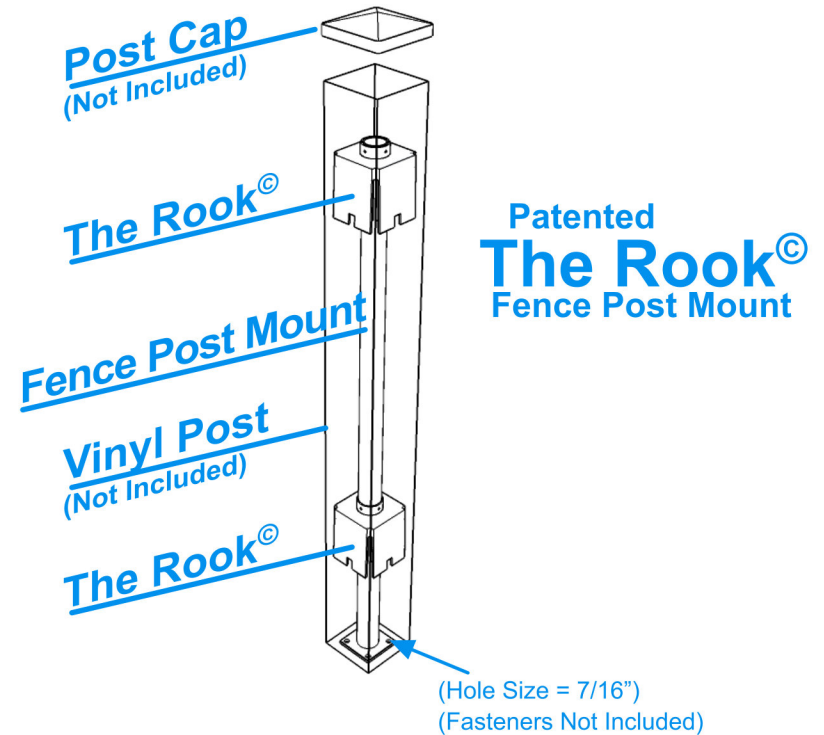


# THE ROOK<sup>®</sup> FENCE POST MOUNT

Made in USA

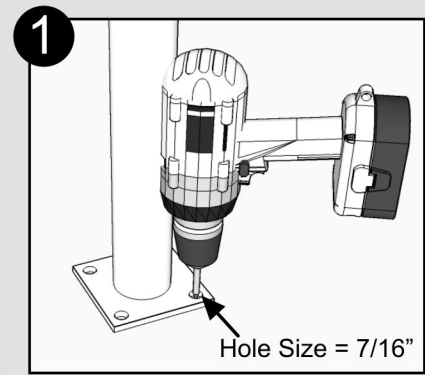
## VINYL FENCE POST INSTALLATION MADE EASY

# VINYL FENCE POST INSTALLATION ON TOP OF WOOD OR CEMENT

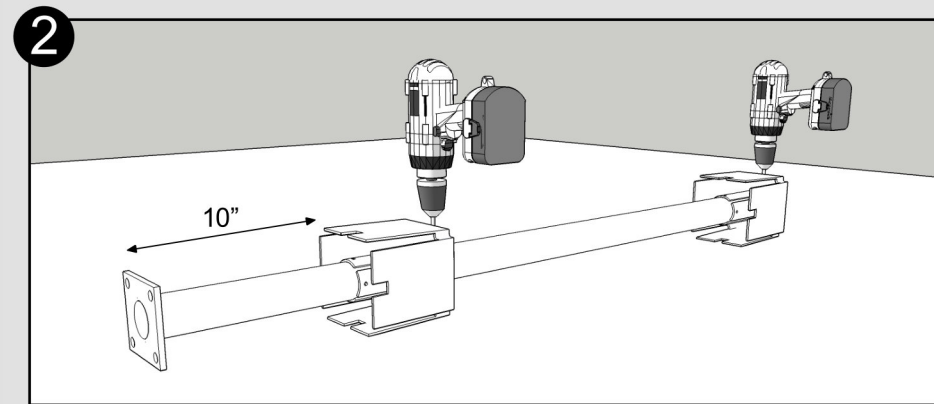


4" P/N: 1783  
5" P/N: 1784

Quantity: Rooks (2)  
Strutural Post (1)



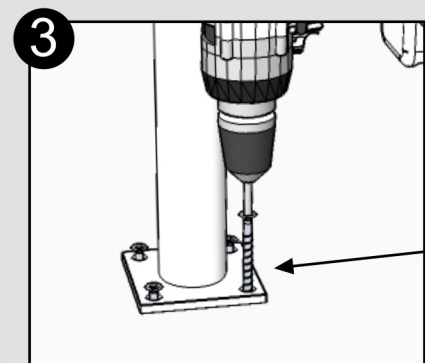
Lay out the location of the fence post mount. Pre-drill four holes per post mount using appropriate **drill** and **bit** sizes for your fastener. (Fasteners not included.)



Place the fence post mount horizontally on its side and slide one Rook onto the fence post mount and position it so that the **bottom** of the Rook is approximately **10"** away from the base plate. Slide the other Rook onto the fence post mount and position it so that the **top** of the Rook is **flush** with the top of the fence post mount.

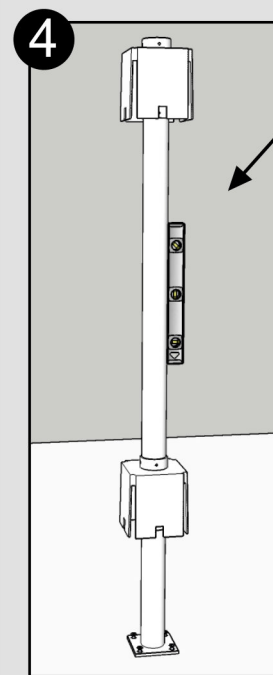
**Secure each Rook to the fence post mount using 2 to 4 self-drilling screws (included) per Rook.**

**\*\*\*Extra force is required when driving screws.\*\*\***



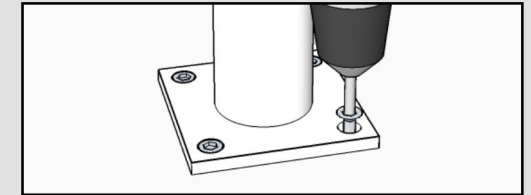
Insert fastener screws (not included) leaving loose until step #3.

Hole Size = 7/16"

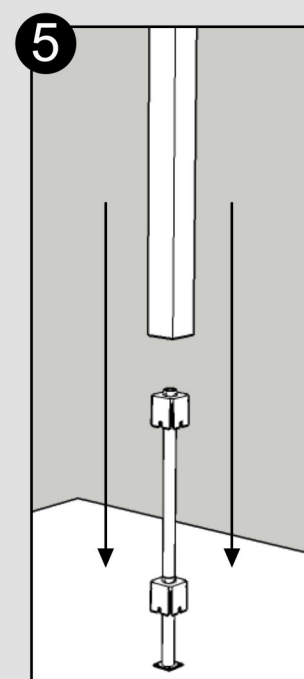


Using a Level (not included), check to make sure fence post mount is plum and level.

If needed, insert supplied wedge underneath bottom of fence post mount.



Tighten fastener screws once the fence post mount is level. If the wedge was used, snap off the excess portion.



Slide the vinyl post sleeve over the Rooks to complete the fence post mount installation.

For Installation Assistance  
Call 1-844-743-5140