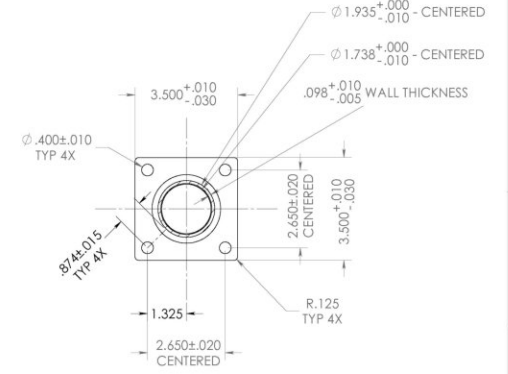
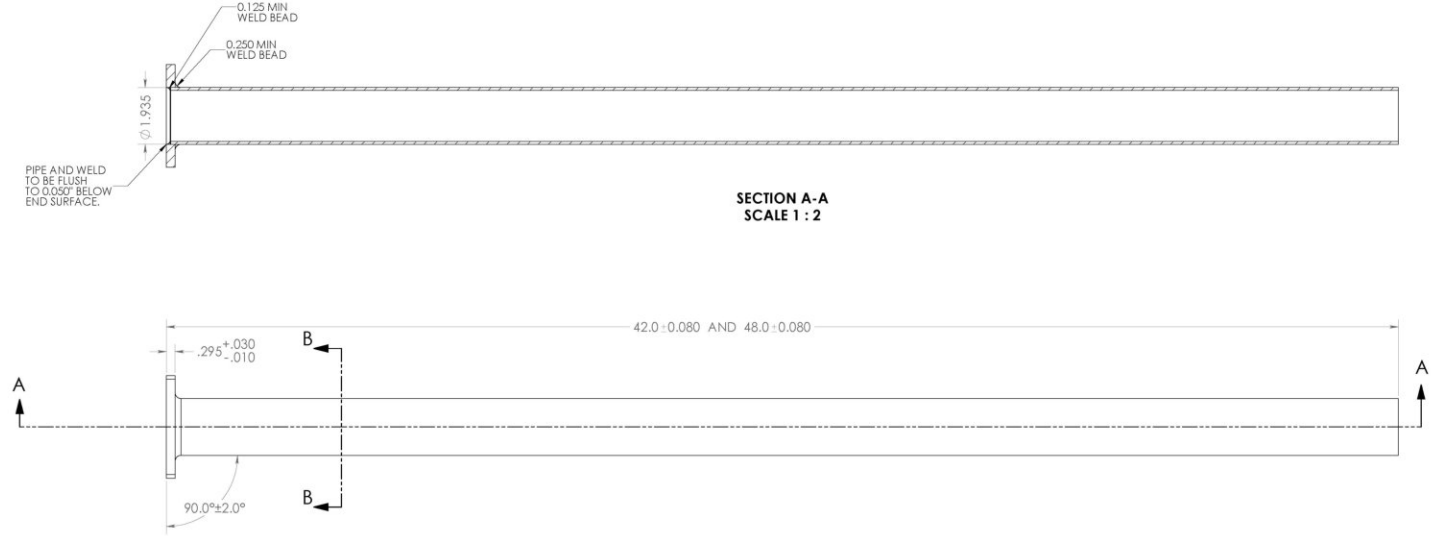


THIS DRAWING IS THE PROPERTY OF THE LAMAR-RESEARCH CO., INC. AND REMAINS A CONFIDENTIAL PROPRIETARY DESIGN. ANY REPRODUCTION OR DISSEMINATION OF THIS DRAWING OR THE INFORMATION CONTAINED HEREIN WITHOUT THE WRITTEN PERMISSION OF LAMAR-RESEARCH CO., INC. IS STRICTLY PROHIBITED. UNDER NO CIRCUMSTANCES SHALL THIS INFORMATION BE RELEASED TO THE PUBLIC OR TO ANY OTHER PARTY WITHOUT THE WRITTEN PERMISSION OF LAMAR-RESEARCH CO., INC.

REVISIONS			
ZONE REV.	DESCRIPTION	DATE	APPROVED
ALL B	ADDED BOTTOM WELD BEAD	8/17/2016	JIM F.
ALL C	CHANGED DIA, LENGTH & WALL THICKNESS	8/17/2016	JIM F.



NOTE:
ALL DIMENSIONS ARE AFTER GALVANIZATION

MATERIAL:
PLATE: Q235 STEEL
TUBE: Q193 STEEL
WELD: GB/T8110-95 ER50-6

COATING:
HOT DIP GALVANIZED AFTER FABRICATION
PER ASTM A123
COATING GRADE: ≥G90 (3.5 MILS)

